



First choice when
quality counts.™

President 3:1 Hi-Flo Pump

- **Pressure output capacity of 500 psi (3.4 MPa, 34 bar)**
- **Excellent abrasion and corrosion resistance using Graco Severe Duty™ wear parts**
- **Large porting for excellent priming and handling of high viscosity fluids**
- **High volume displacement pump lower: few cycles per gallon, and long intervals between seal replacement**

**Reliable, low
shear 4-ball
paint circulating
pumps**

The best high volume, low pressure performers for circulating supply of light to medium viscosity fluids. Driven by the reliable President air motor which is life tested to 10,000,000 cycles, these high volume circulating pumps will allow you to handle larger flow requirements while operating at low cycle rates. This will extend pump life and minimize the intervals for maintenance and repair. Overall cost of ownership is reduced by this extended pump life. These are all great reasons for choosing High-Flo pumps for your circulating and transfer applications.

Typical Fluids Handled

Stainless steel models

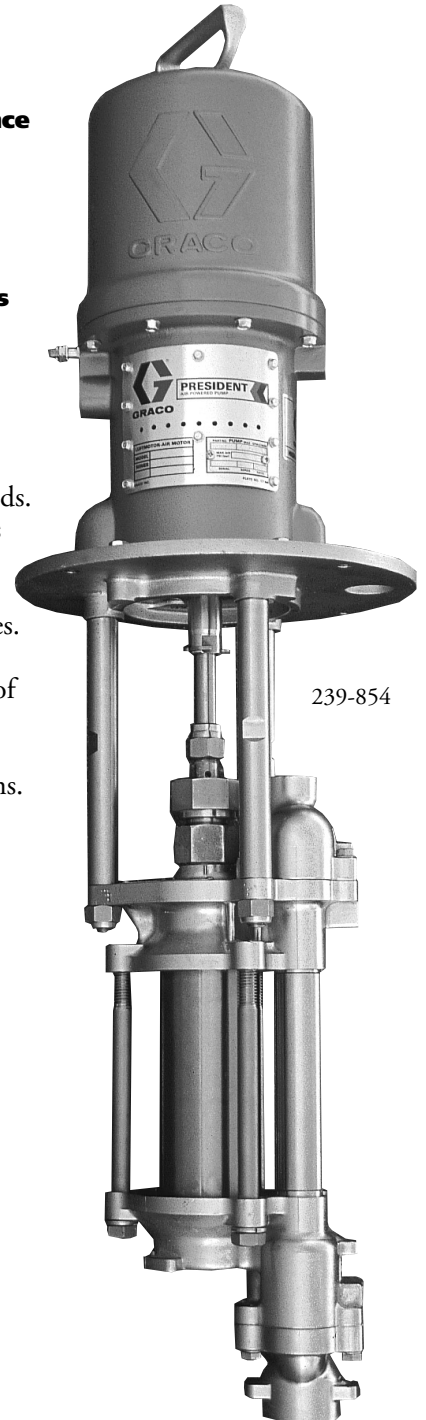
- Waterborne paints
- Acid catalyzed varnishes, enamels, and lacquers

Carbon steel models

- Solventborne paints

Typical Applications

- Paint circulation, supply and transfer



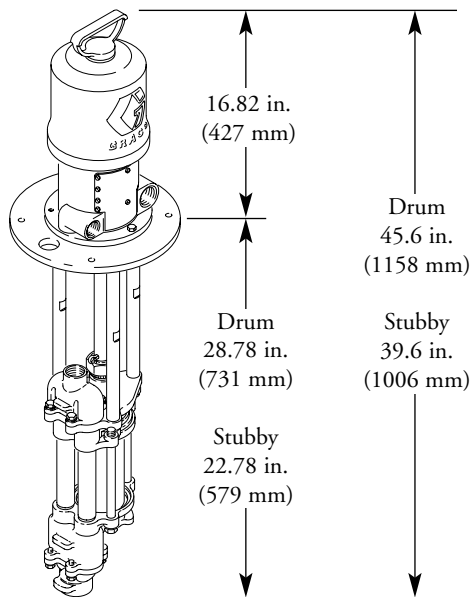
COMPONENTS

239-854

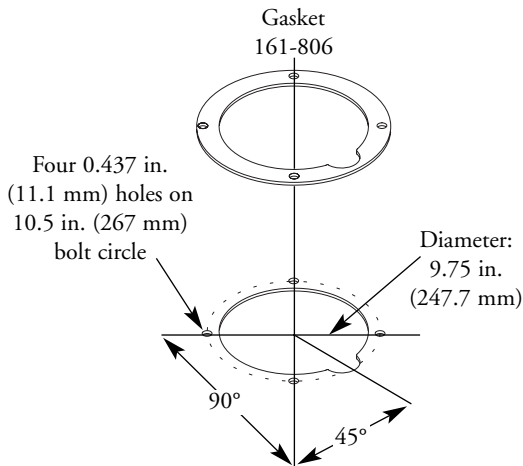
Technical Specifications

Maximum working pressure . . . 500 psi (3.4 MPa, 34 bar)
Maximum air input pressure . . . 166 psi (1.1 MPa, 11 bar)
Fluid flow at 60 cpm 9.3 gpm (35.3 lpm)
Volume per cycle 20 oz (591 cc)
Air inlet size 1/2 npt(f)
Fluid inlet size 1-1/2 npt(f)
Fluid outlet size 1 npt
Weight
 Drum length 66 lb (30 kg)
 Stubby length 59 lb (27 kg)
Instruction manual 308-793

Dimensions

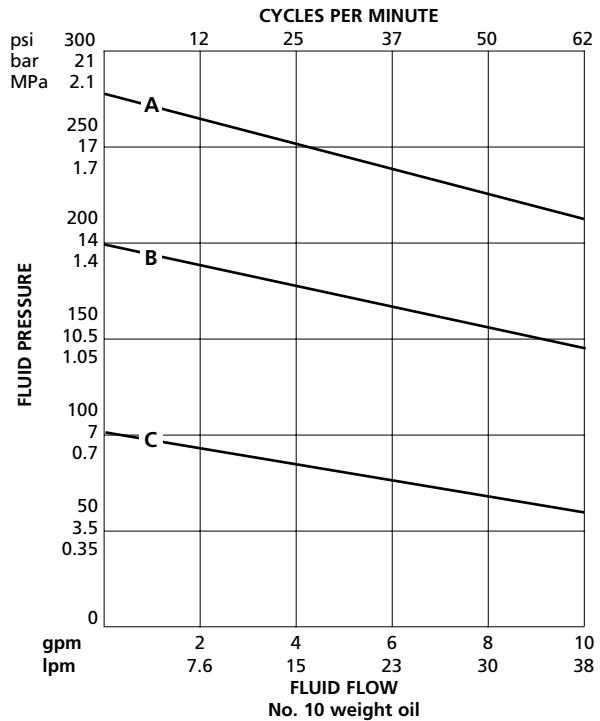


Mounting Hole Layout

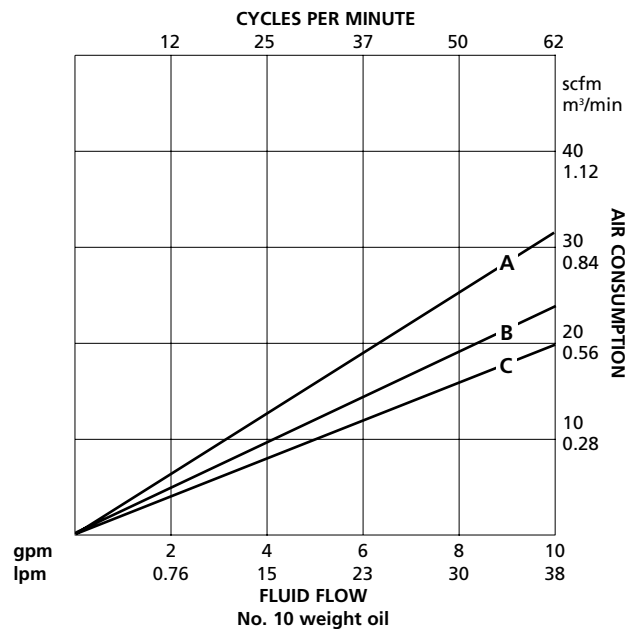


Performance Charts President 3:1 Hi-Flo

Fluid Pressure



Air Consumption



Air Pressures:
 A = 100 psi (0.7 MPa, 7 bar)
 B = 70 psi (0.48 MPa, 4.8 bar)
 C = 40 psi (0.28 MPa, 2.8 bar)

Ordering Information for President 3:1 Hi-Flo Pump

Order number includes motor and pump lower assembly

Order Nos.	220-561	237-223	220-564	239-819	237-222	239-855	239-854
Pump Lower							
Part No.	239-833	239-860	239-836	239-820*	239-859	239-833	239-836
Construction	CS	CS	SST	SST	SST	CS	SST
Throat Packing Kit	239-872	239-866	239-872	220-586	239-866	239-872	239-872
Construction	UHMWPE/Leather	Teflon®	UHMWPE/Leather	UHMWPE/Leather	Teflon	UHMWPE/Leather	UHMWPE/Leather
Optional Throat Packing Kit	239-868	239-868	239-868	239-868	239-868	239-868	239-868
Construction	Leather	Leather	Leather	Leather	Leather	Leather	Leather
	239-866	239-872	239-866	220-585	239-872	239-866	239-866
Construction	Teflon	UHMWPE/Leather	Teflon	Teflon	UHMWPE/Leather	Teflon	Teflon
Standard Piston Seal Repair Kit for all pumps				220-589			
Construction				UHMWPE			
Optional Piston Seal Repair Kit for all pumps				224-934			
Construction				Teflon			
Motor							
207-385: Repair Kit							

COMPONENTS

SERVICE PARTS INFORMATION

Pump Lower	239-833	239-860	239-836	239-820	239-859	239-833	239-836
Displacement Rod	181-898	181-898	181-898	181-898	181-898	181-898	181-898
Construction	SST	SST	SST	SST	SST	SST	SST
Cylinder	181-899	181-899	183-049	183-049	183-049	181-899	183-049
Construction	CS	CS	SST	SST	SST	CS	SST
Intake Valve (order separate part numbers)							
Intake Ball	101-968	101-968	101-968	101-968	101-968	101-968	101-968
Seat w/relief valve	239-805	239-805	239-805	239-805	239-805	239-805	239-805
Seat w/o relief valve	239-865	239-865	239-865	239-865	239-865	239-865	239-865
Outlet Valve (order separate part numbers)							
Outlet Ball	110-259	110-259	110-259	110-259	110-259	110-259	110-259
Outlet Seat	183-095	183-095	183-095	183-095	183-095	183-095	183-095

Teflon® is a registered trademark of Du Pont.

•Pump lower 239-820 designed with straight threads in inlet and outlet housings in order to accommodate sanitary fitting connections.

Accessories

237-569 Ground Wire and Clamp

Length: 25 ft. (7.6 m), 12 gauge (1.5 mm²)

Bleed-Type Master Air Valve

Maximum working pressure: 300 psi (2.1 MPa, 21 bar)

107-141 Inlet and outlet: 3/4 npt(mxf)

107-142 Inlet and outlet: 1/2 npt(mxf)

207-651 Air Control Kit

Maximum working pressure: 300 psi (2.1 MPa, 21 bar)

Air Line Filter

Maximum working pressure: 250 psi (1.75 MPa, 7.5 bar)

106-149 Inlet and outlet: 1/2 npt(f)

106-150 Inlet and outlet: 3/4 npt(f)

224-040 Pump Runaway Valve

Maximum working pressure: 120 psi (0.8 MPa, 8.4 bar)

Inlet and outlet: 3/4 npt(f)

Air Line Lubricator

Maximum working pressure: 250 psi (1.75 MPa, 17.5 bar)

214-848 Inlet and outlet: 1/2 npt(f)

214-849 Inlet and outlet: 3/4 npt(f)

220-157 Medium Volume High-Flo Surge Tank

Inlet: 1 npt(f); outlet: 1.5 npt(f)

218-742 Mounting Stand Kit

For surge tank 220-157.

220-580 Riser Tube Kit

Adapts the pump outlet to motor level when drum mounted.

Fluid Supply Hose

Maximum working pressure: 500 psi (3.5 MPa, 35 bar)

ID: 1 in. (25 mm), 1/2 npt(mbe).

220-997 Length: 2 ft. (0.6 m)

214-959 Length: 6 ft. (1.8 m)

220-581 Pump Floor Stand

207-872 Stationary Stand

206-221 Wall Bracket

110-335 Packing Nut Wrench

Throat Seal Liquid

206-995 1 quart (0.95 liter)

206-996 1 gallon (3.8 liter)

213-099 Siphon Tube Kit

Fluid Filters

When using these filters, limit air pressure to pump to 100 psi (0.7 MPa, 7 bar).

213-063 Red Alert Fluid Filter

Maximum flow: 20 gpm (75.7 lpm).

Inlet/outlet: 1-1/4 npt(f). 60 mesh.

114-265 Low Pressure Filter

SST, 60 mesh.

231-414 SST Drum Agitator Package

Includes heavy duty agitator cover, siphon kit and elevator.